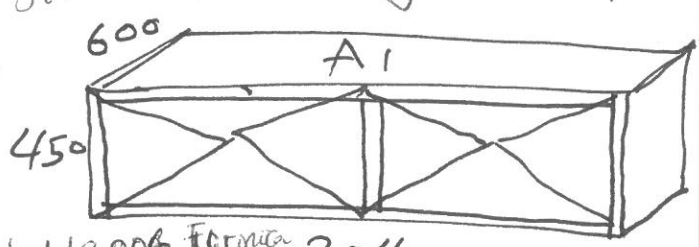
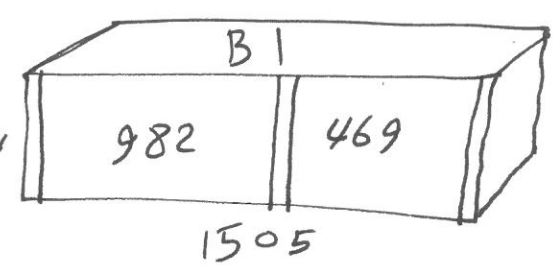


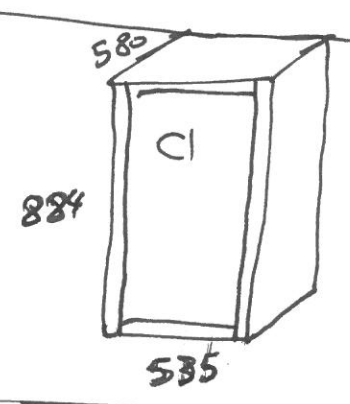
- Salisbury Display unit left
- 1-447 X 580 X 18 ⇒ 2 pcs side
 - 2-2004 X 580 X 18 ⇒ 1 pc Bottom
 - 3-2004 X 554 X 18 ⇒ 1 pc Top
 - 4-445 X 515 X 18 ⇒ 4 pcs Door → WS 006 Formica 2040
 - 5-2004 X 100 X 18 ⇒ 2 pcs Back
 - 6-2022 X 440 X 8 ⇒ 1 pc Back
 - 7-414 X 554 X 36 ⇒ 1 pc middle side



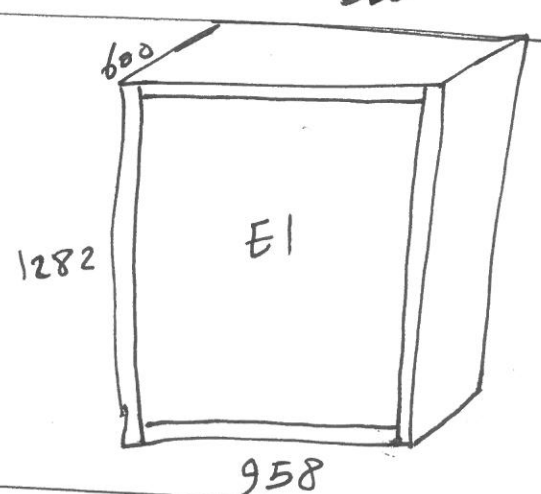
- 8.
- 1-431 X 580 X 18 ⇒ 2 pcs side
 - 2-1469 X 580 X 18 ⇒ 2 pcs Top+Bottom 434
 - 3-398 X 550 X 18 ⇒ 1 pc middle side
 - 4-434 X 1505 X 18 ⇒ 1 pc Back



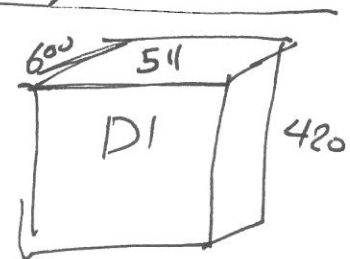
- 1-881 X 580 X 18 ⇒ 2 pcs side
- 2-499 X 580 X 18 ⇒ 2 pcs Top+Bottom
- 3-884 X 535 X 18 ⇒ 1 pc Back



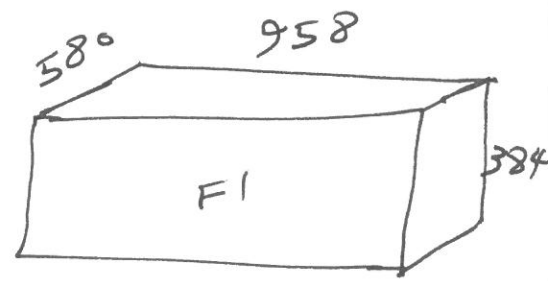
- 1-1279 X 580 X 18 ⇒ 2 pcs side
- 2-922 X 580 X 18 ⇒ 2 pcs Top+Bottom
- 3-1282 X 958 X 8 ⇒ 1 pc Back



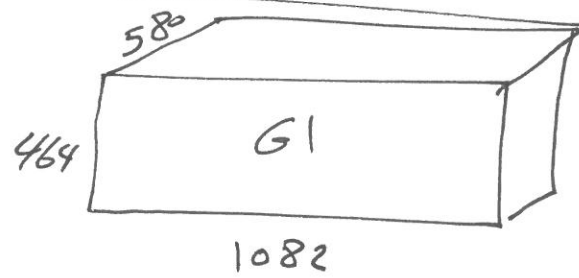
- 1-417 X 580 X 18 ⇒ 2 pcs side
- 2-475 X 580 X 18 ⇒ 2 pcs Top+Bottom
- 3-420 X 511 X 18 ⇒ 1 pc Back



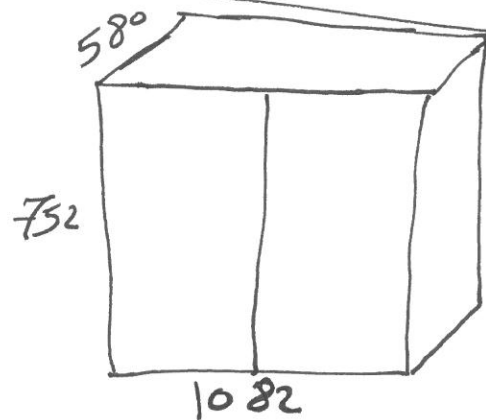
- 1- 381 x 580 x 18 \Rightarrow 2 pcs side
- 2- 922 x 580 x 18 \Rightarrow 2 pcs Top+Bottom
- 3- 384 x 958 x 8 \Rightarrow 1 pc Back



- 1- 461 x 580 x 18 \Rightarrow 2 pcs side
- 2- 1046 x 580 x 18 \Rightarrow 2 pcs Top+Bottom
- 3- 464 x 1082 x 8 \Rightarrow 1 pc Back

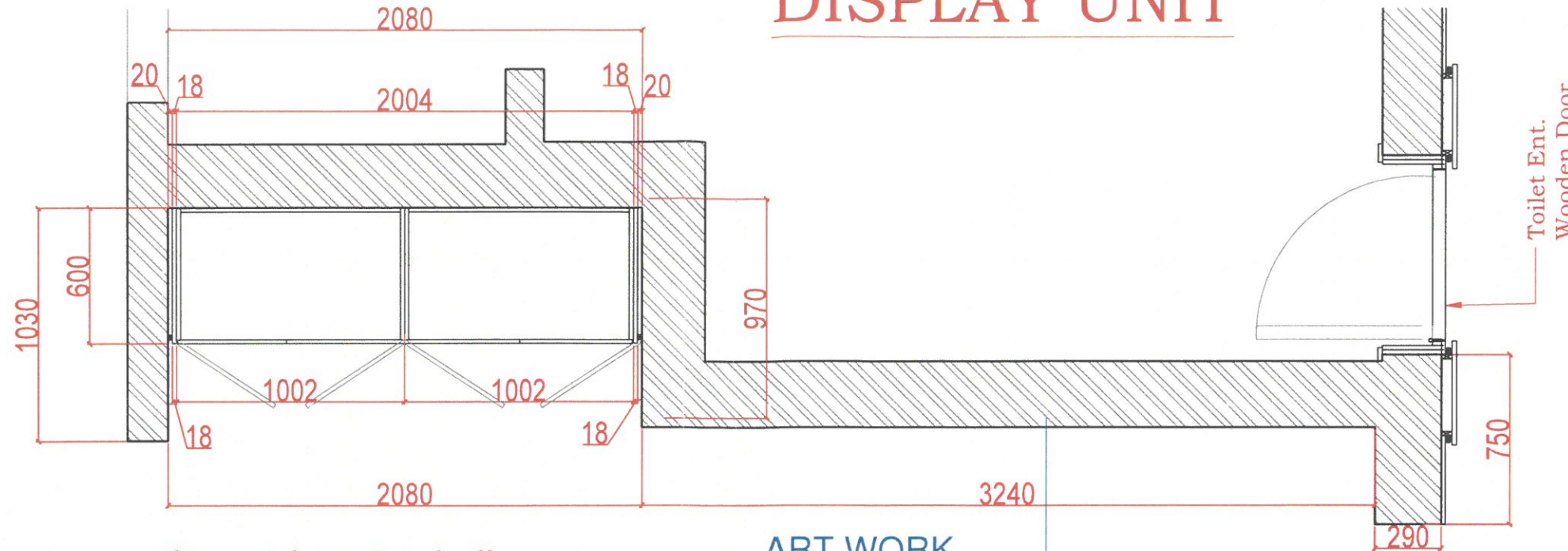


- 1- 749 x 580 x 18 \Rightarrow 2 pcs side
- 2- 1046 x 580 x 18 \Rightarrow 2 pcs Top+Bottom
- 3- 716 x 580 x 18 \Rightarrow 1 pc Middle side
- 4- 752 x 1082 x 8 \Rightarrow 1 pc Back



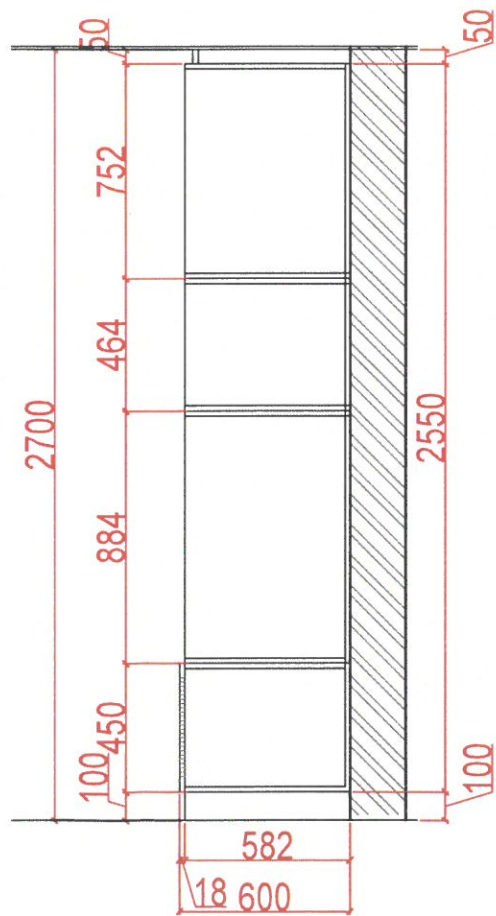
Display unit left

LEFT SIDE BY THE ENTRANCE
DISPLAY UNIT

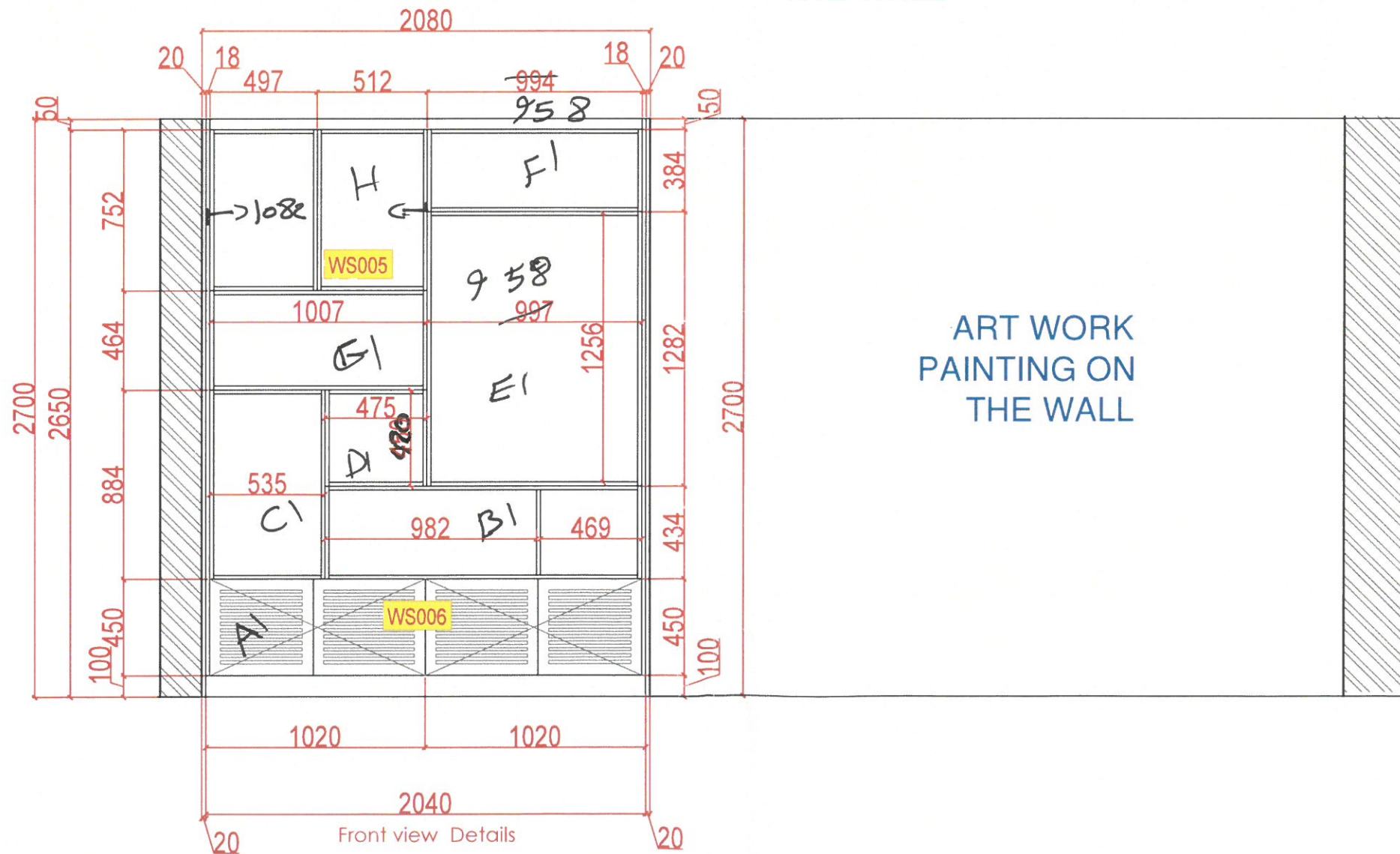


Floor Plan Details

ART WORK
PAINTING ON
THE WALL



Side view Details



Front view Details

ART WORK
PAINTING ON
THE WALL

FOR APPROVAL

Project No. : ---
Scale : N/A
Drawn by : OBJ
Checked : OBJ
Cad File : CAD_FILE

Sheet title
GROUND FLOOR
MAI SHAYI CAFE
LEFT SIDE BY THE ENTRANCE DISPLAY UNIT
Floor Plan / Elevation

Dwg No. WS-DS-SD-MS-004	No. SHEET 2
----------------------------	----------------